





SA-1000

THE FISHER

STEREOPHONIC
POWER AMPLIFIER



METER SELECTOR



LEFT
CHANNEL

INPUT ATTENUATOR



RIGHT
CHANNEL

INPUT ATTENUATOR

V4

V5

AC BAL

ON

OFF

AC BAL

V8

V9

V10

BIAS

BIAS

BIAS

BIAS

LEFT CHANNEL

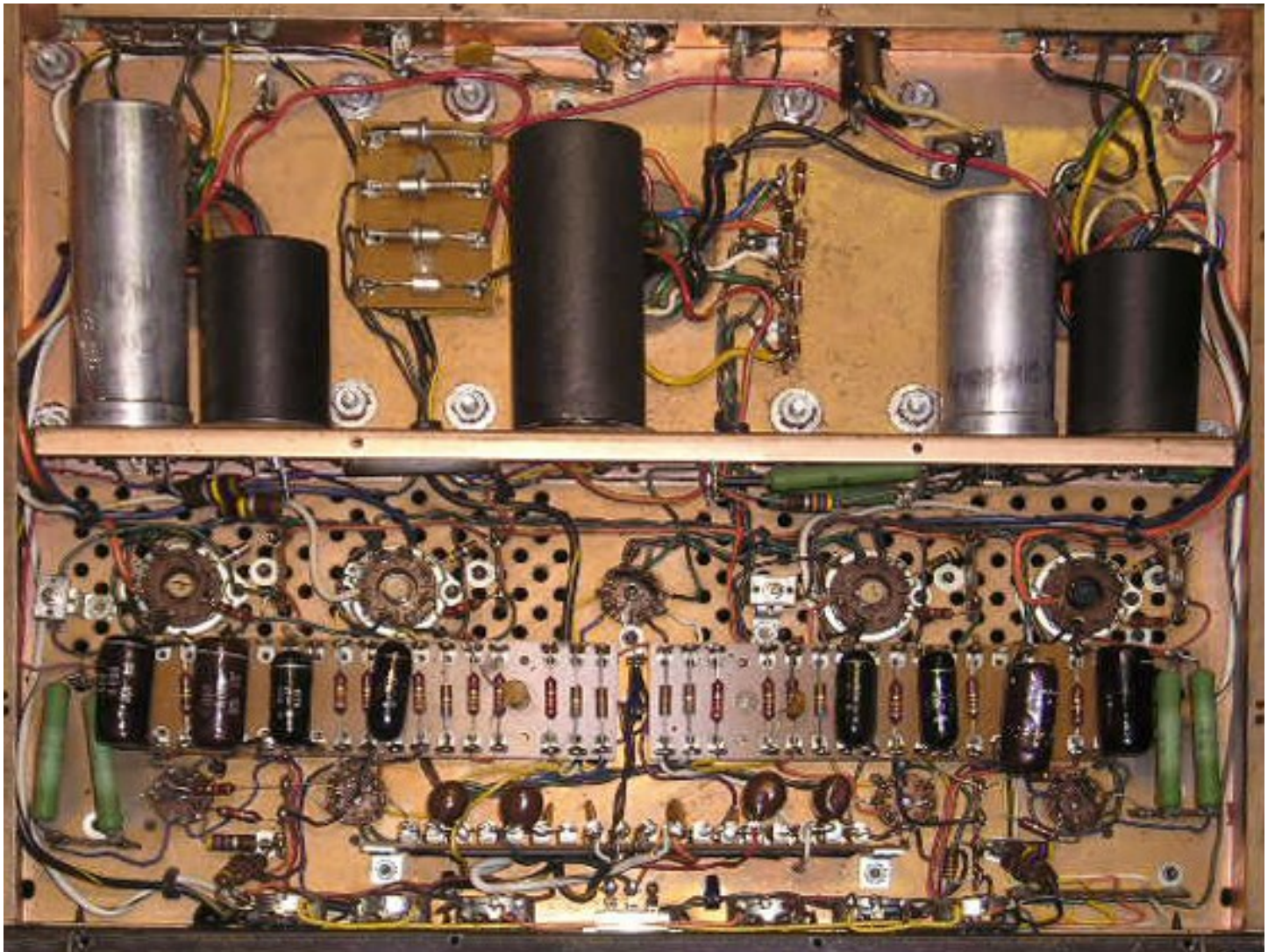


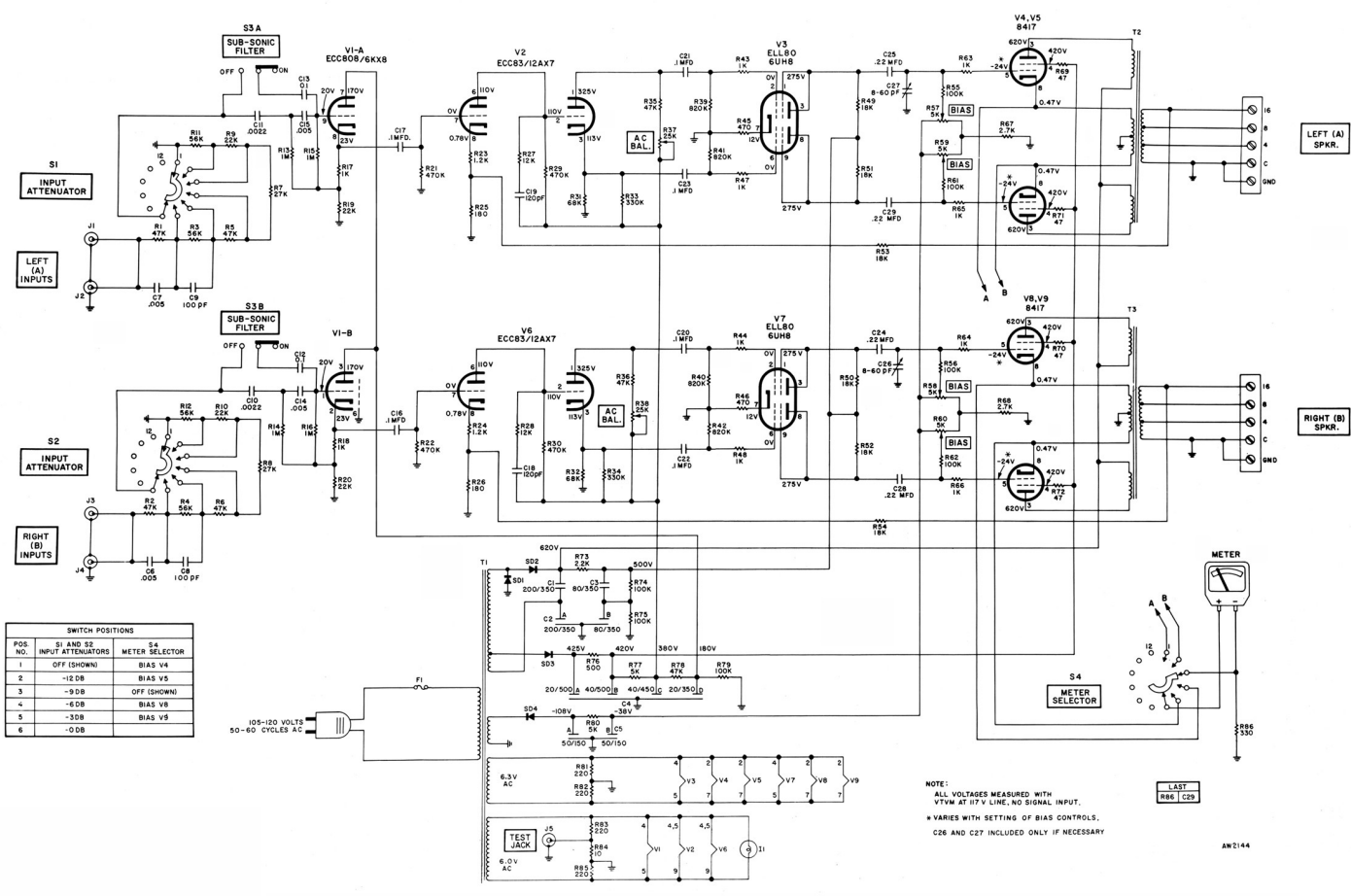
SUB-SONIC FILTER

RIGHT CHANNEL





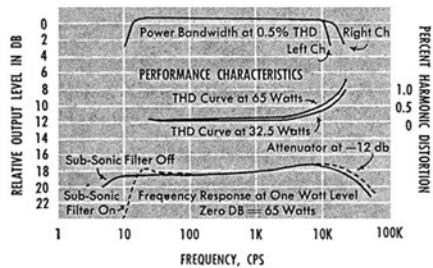
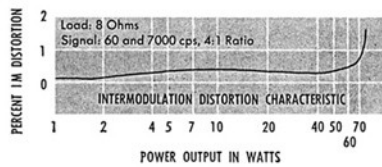


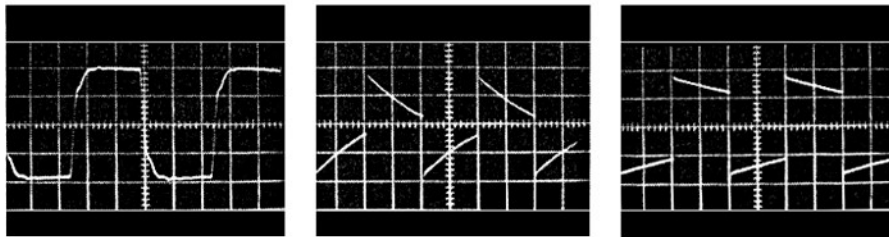


SWITCH POSITIONS		
POS. NO.	S1 AND S2 INPUT ATTENUATORS	S4 METER SELECTOR
1	OFF (SHOWN)	BIAS V4
2	-12 DB	BIAS V5
3	-9 DB	OFF (SHOWN)
4	-6 DB	BIAS V8
5	-3 DB	BIAS V9
6	-0 DB	

NOTE: ALL VOLTAGES MEASURED WITH VTVM AT RTV LINE, NO SIGNAL INPUT.
 * VARIES WITH SETTING OF BIAS CONTROLS.
 C26 AND C27 INCLUDED ONLY IF NECESSARY.

Lab Test Data	
Performance characteristic	Measurement
Power output (at 1 kc into 8-ohm load) Channels individually:	
Left at clipping	65.5 watts @ 0.15% THD
Left at 0.5% THD	75 watts
Right at clipping	65.5 watts @ 0.18% THD
Right at 0.5% THD	75 watts
Both chs simultaneously:	
Left at clipping	57.7 watts @ 0.11% THD
Right at clipping	57.7 watts @ 0.11% THD
Power bandwidth, constant 0.5% THD	l ch: 10 cps to 13 kc r ch: 10 cps to 20 kc
Harmonic distortion	under 0.3%, 20 cps to 4 kc; 1.3% at 20 kc
32.5 watts output	under 0.3%, 20 cps to 7 kc; 1% at 20 kc
IM distortion	under 0.5% up to 60 watts; 0.6% at 65 watts
Frequency response, 1-watt output	filter off: ± 1 db, 7 cps to 30 kc; -3 db at 52 kc filter on: -1 db at 14 cps; -9 db at 8 cps
Damping factor (8-ohm output)	13.3
Sensitivity, various attenuator positions, volts, and relative cor- responding db values	0 db 0.5 volt (0 db) -3 db 0.68 volts (-1.6 db) -6 db 0.99 volts (-5.8 db) -9 db 1.25 volts (-7.6 db) -12 db 1.86 volts (-11.4 db)
S/N ratio, at clipping	85 db





Square-wave response to 10 kc, left, and to 50 cps with subsonic filter on and off.